



Hangcha Europe GmbH

Mariechen-Graulich-Straße 12a,
65439 Flörsheim am Main,
Germany

Administration
Tel: 0049-61453769188
E-mail: admin@hangchaeurope.com

Sales Management
Thomas Dittrich
Mob: 0049-16096548808
E-mail: thomas.dittrich@hangchaeurope.com

Technical Support
Thomas Pannke
Mob: 0049-01759284213
E-mail: thomas.pannke@hangchaeurope.com

www.hangchaeurope.com



Folgen Sie uns auf
Instagram



Folgen Sie uns auf
Facebook



Folgen Sie uns auf
YouTube



"Hangcha Forklift"
App herunterladen



ISO14001
ISO14001:2015



ISO9001
ISO9001:2015



HANGCHA trucks conform
to the European Safety
Requirements.

2024-VERSION / COPYRIGHT 2024/08

HANGCHA Group Co., LTD behält sich das Recht vor, Änderungen bezgl. Farbe, Spezifikationen, Ausstattung und sonstige Details, dierer Broschüre ohne Vorankündigung vorzunehmen. Fahrzeugfarben können von den Farben in dieser Broschüre abweichen.



X Series Electric Forklift Truck

with capacities of 1,000 to 3,500kg

The World of Hangcha



X Series Electric Forklift Truck

The X series 1.0- to 3.5-ton forklift trucks are new-generation products by independent research and development based on former products of HANGCHA, with an overall upgrade in appearance molding, performance efficiency, comfort, safety and maintainability.

**Agile/
Efficient/
Flexible**



Appearance

- / Appearance design methods of new concepts, streamlined surface modeling, flexible and smooth lines, elegant and decent.
- / Compact truck shape, simplified appearance, vigorous and powerful.
- / Optimum energy efficiency.

Stability

- / The traction motors are arranged in parallel, the batteries are fixed at the bottom of the truck frame, and the shaft distance and real-wheel distance have been lengthened, aiming to enhance the swing point of steering axle and shorten front overhang distance for excellent stability.

Efficiency

- / The inner and outer turning angle of steering wheels are enlarged with small turning radius, which can operate in narrow paths.
- / Multi-speed models for selection to adapt various working conditions.
- / A high-power traction motor and high-speed-ratio gearbox have been adopted. The maximum travelling speed and climbing gradient under full load have been increased to 16.5km/h and 20% respectively.
- / High-power pump motor with quiet and large discharge capacity has been adopted to promote lifting speed. For instance, the maximum lifting speed with 1.5-ton full load can reach 420mm/s.
- / Thanks to the stability technologies, such as new mast with shorter load distance, making a great promotion of loading capability and high lifting mast.
- / Compact design, the width of 2- to 2.5-ton truck is only 1180mm.
- / Light weight and low energy consumption. Brake energy regeneration system effectively saves energy and prolongs operation hours for one charge.

Comfort

- / Designed based on ergonomics, the longer wheelbase provides larger space for legs. The diameter of steering wheel has been decreased to 300mm. Seats can be adjusted forward and backward for operators to choose the best driving position.
- / Humanized design. Storing space, USB interface and others have been added.



New designed mast and the large open steel roof provide super visibility, it also can reduce risk of accidents



Fully closed operation plate space, tilting cylinder and flat bottom plate, providing more comfortable and safe operation



Side roll out the battery can provides the fast, simple and safe solution for the operator



Multi-function instrument with color screen, clear human-computer interaction interface for visualized reading



Standard specification

- / 3M duplex mast
- / Soft landing system
- / OHG
- / Storage compartment
- / Emergency power-off switch
- / USB interface
- / Full AC motor and controller
- / Multi-function color screen combination instrument
- / 2nd valve
- / Dynamic load sensing hydraulic steering gear
- / Panoramic rearview mirror
- / Integrated combination switch
- / DC-DC converter
- / LED front light, turning indicator light, LED rear combination tricolor light
- / Traction pin
- / Back-up beeper

Safety

- / LED front lights and combined lights provide better view to operators under any circumstance.
- / The panoramic rearview mirror provides broader rearview for safer driving.
- / Soft landing system: When forks are 100-60mm above the ground, the descending speed decreases automatically, keeping the goods and pallet from hitting the ground and protecting both goods and the ground effectively.
- / Overload protection device for electronics and hydraulics, conforming to safety specifications.

Maintenance

- / The bottom plate under feet can be disassembled without tools, which is convenient to check and repair all walking motors and systems.
- / Brake fluid can be added when the shield cover and oiler cover are opened.
- / Fully opening covers are quite convenient for the maintenance motors and controllers.

Advancement

- / High frequency MOSFET controller provides accurate control of travelling, lifting, and better adjustable performance, and better matches the motor. Regenerative braking, reverse current braking and anti-slide on slope function guarantee the operation safety.
- / AC controllers realize computer control in travelling, turning, lifting, inclining and other movements.
- / Regenerative braking is more energy saving and efficiency during truck's deceleration, direction changing, and driving on downwards slope.



Options

- / 2.0-5.0m duplex mast
- / 2.5-4.0m full free duplex mast
- / 4.3-7.0m full free triplex mast
- / Other length forks
- / Wide fork carriage
- / Wide or higher load backrest
- / Built-in side shifter
- / Accessories of other specifications
- / Front dual tire
- / Super-elastic solid tire
- / Non-marking tyre
- / Suspension seat with armrests
- / Suspension seat with higher OHG
- / Reversing hand grip with horn button
- / Left-right rearview mirror
- / Rear working light
- / Alarm light
- / Battery side removed by forks
- / Battery side roll out by roller
- / High-capacity domestic battery
- / High-performance imported battery
- / Maintenance-free battery
- / Lithium battery
- / Charger
- / OPS system
- / Fingertip system
- / 3T brake for 2-2.5t
- / Electric Parking Brake
- / KDS Motor

Lead-acid specification

Battery	Capacity (Ah/5h)	1.0t	1.5-1.75t	mini2t	2.0t	2.5t	2.5Lt	3.0-3.5t
Lead-acid	360	●					●	
	420		●					
	450			●				
	480	○	○				○	●
	525				●			
	560	○	○	○	○		○	○
	600			○	○	●	○	○
700				○	○			

Note: ● Battery Std. ○ Battery Opt. 2.5Lt:80V

Lithium specification

Battery	Capacity (Ah/5h)	1.0t	1.5-mini2t	2.0-2.5t	2.5Lt	3.0-3.5t
Lithium	302	●			●	
	456	○	●		○	●
	500			●		
	604		○	○	○	○

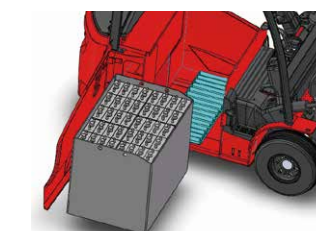
Note: ● Battery Std. ○ Battery Opt. 2.5Lt:80V



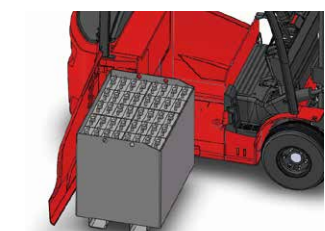
Fingertip system (Opt.)



Lithium battery (Opt.)



Battery side roll out by roller (Opt.)



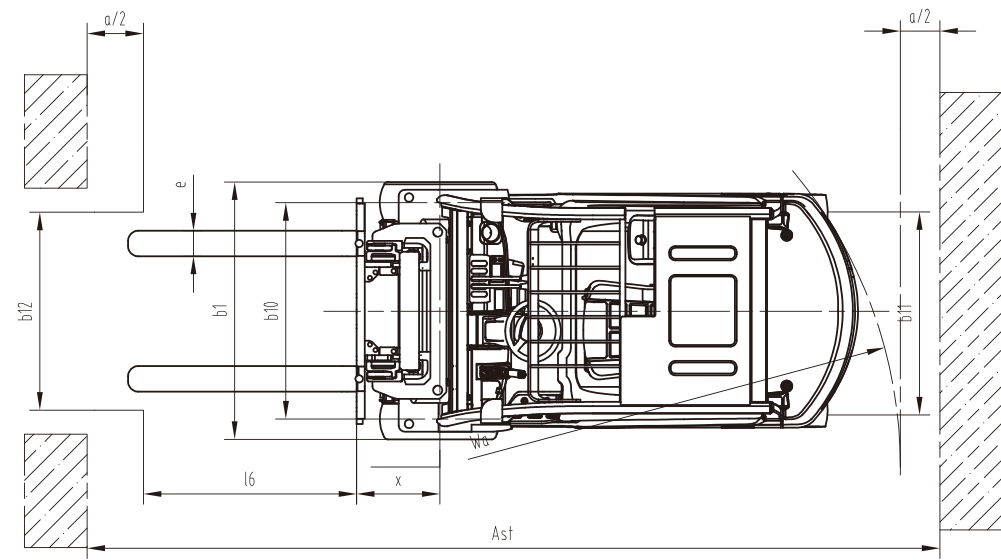
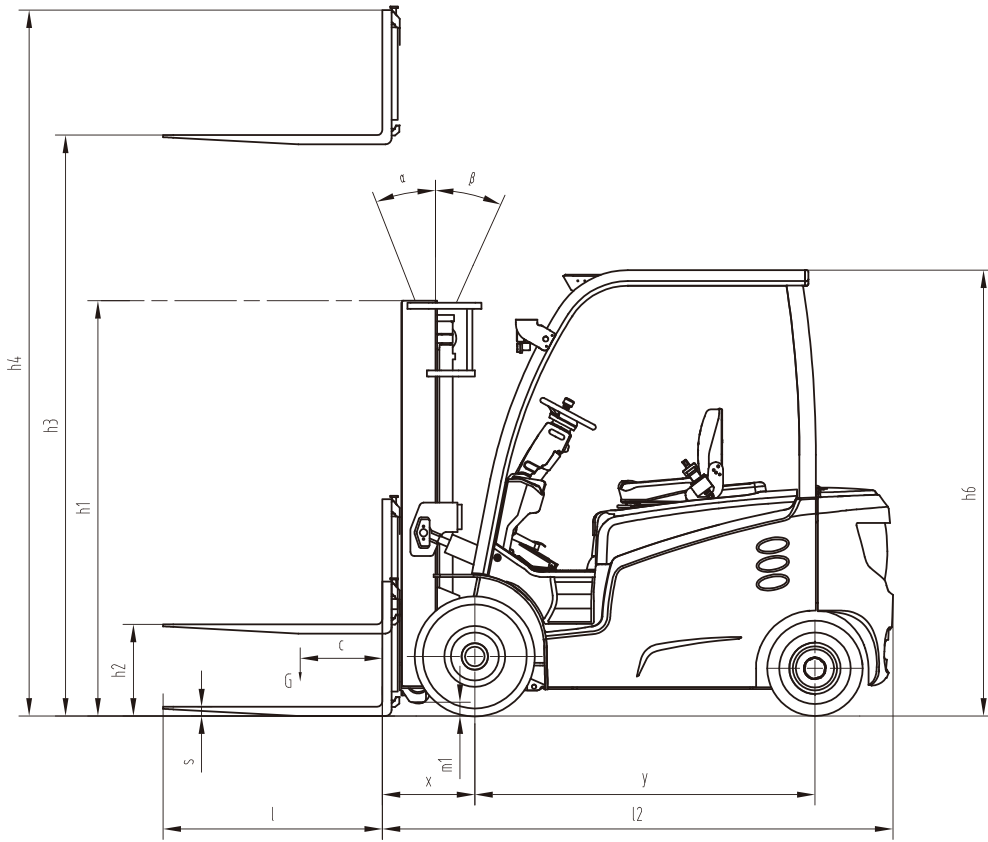
Battery side removed by forks (Opt.)

X Series Lead-acid Battery Forklift Truck Specification

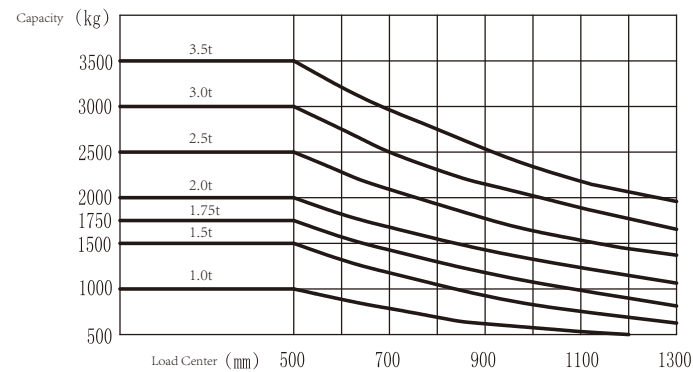
		HANGCHA GROUP CO.,LTD.																			
Distinguishing mark	1.1	Manufacturer																			
	1.2	Manufacturer's type designation	CPD10-XJ4 CPD10-XJ2	CPD15-XJ4 CPD15-XJ2	CPD18-XJ4 CPD18-XJ2	CPD20-XXJ4 CPD20-XXJ2	CPD20-XJ4 CPD20-XJ2	CPD25-XJ4 CPD25-XJ2	CPD25-XJ4 CPD25-XJ2	CPD30-XJ4 CPD30-XJ2	CPD35-XJ4 CPD35-XJ2	CPD10-XC4* CPD10-XD3*	CPD15-XC4* CPD15-XD3*	CPD18-XC4* CPD18-XD3*	CPD20-XXC4* CPD20-XXD3*	CPD20-XC5* CPD20-XD3*	CPD25-XC5* CPD25-XD3*	CPD25-XLC5* CPD25-XLD3*	CPD30-XC5* CPD30-XD3*	CPD35-XC5* CPD35-XD3*	
	1.3	Drive: electric (battery or mains), diesel, petrol, fuel gas	Lead-acid	Lead-acid	Lead-acid	Lead-acid	Lead-acid	Lead-acid	Lead-acid	Lead-acid	Lead-acid	Lead-acid	Lead-acid	Lead-acid	Lead-acid	Lead-acid	Lead-acid	Lead-acid	Lead-acid	Lead-acid	Lead-acid
	1.4	Operator type: hand, pedestrian, standing, seated, order-picker	Seated	Seated	Seated	Seated	Seated	Seated	Seated	Seated	Seated	Seated	Seated	Seated	Seated	Seated	Seated	Seated	Seated	Seated	Seated
	1.5	Rated capacity/rated load	Q (kg)	1000	1500	1750	2000	2000	2500	2500	3000	3500	1000	1500	1750	2000	2000	2500	2500	3000	3500
	1.6	Load centre distance	c (mm)	500	500	500	500	500	500	500	500	500	500	500	500	500	500	500	500	500	500
	1.8	Load distance, centre of drive axle to fork	x (mm)	391	391	396	406	427	427	427	451	479	391	391	396	406	427	427	427	451	479
	1.9	Wheelbase	y (mm)	1410	1410	1410	1410	1520	1520	1660	1660	1660	1410	1410	1410	1410	1520	1520	1660	1660	1660
	2.1	Service Weight	kg	2760	2950	3110	3380	3650	4100	4230	4710	5300	2760	2950	3110	3380	3650	4100	4230	4710	5300
2.2	Axle loading, laden front/rear	kg	3050/710	3910/540	4330/530	4760/600	4950/700	5815/785	5995/735	6880/830	7855/945	3050/710	3910/540	4330/530	4760/600	4950/700	5815/785	5995/735	6880/830	7855/945	
2.3	Axle loading, unladen front/rear	kg	1340/1420	1515/1435	1460/1650	1500/1880	1720/1930	1815/2285	2080/2150	2175/2535	2215/3085	1340/1420	1515/1435	1460/1650	1500/1880	1720/1930	1815/2285	2080/2150	2175/2535	2215/3085	
Tyres, chassis	3.1	Tyres: solid rubber, superelastic, pneumatic, polyurethane	Pneumatic	Pneumatic	Pneumatic	Pneumatic	Pneumatic	Pneumatic	Pneumatic	Pneumatic	Superelastic	Pneumatic	Pneumatic	Pneumatic	Pneumatic	Pneumatic	Pneumatic	Pneumatic	Pneumatic	Pneumatic	
	3.2	Tyre size, front	6.00-9-10PR	6.00-9-10PR	21*8-9-16PR	21*8-9-16PR	23*9-10-18PR	23*9-10-18PR	23*9-10-18PR	23*9-10-18PR	23*10-12	6.00-9-10PR	6.00-9-10PR	21*8-9-16PR	21*8-9-16PR	23*9-10-18PR	23*9-10-18PR	23*9-10-18PR	23*9-10-18PR	23*9-10-18PR	
	3.3	Tyre size, rear	5.00-8-10PR	5.00-8-10PR	5.00-8-10PR	5.00-8-10PR	18*7-8-14PR	18*7-8-14PR	18*7-8-14PR	18*7-8-14PR	200/50-10	5.00-8-10PR	5.00-8-10PR	5.00-8-10PR	5.00-8-10PR	18*7-8-14PR	18*7-8-14PR	18*7-8-14PR	18*7-8-14PR	200/50-10	
	3.5	Wheels, number front / rear (x = driven wheels)	2x2	2x2	2x2	2x2	2x2	2x2	2x2	2x2	2x2	2x2	2x2	2x2	2x2	2x2	2x2	2x2	2x2	2x2	
	3.6	Tread, front	b10(mm)	885	885	925	925	960/1010#	960/1010#	1010	1010	1012	885	885	925	925	960/1010#	960/1010#	1010	1010	1012
	3.7	Tread, rear	b11 (mm)	905.5	905.5	905.5	905.5	980	980	980	980	980	905.5	905.5	905.5	905.5	980	980	980	980	980
	3.8	Tilt of mast/fork carriage forward/backward	α/β(°)	6/10	6/10	6/10	6/10	6/10	6/10	6/10	6/10	6/10	6/10	6/10	6/10	6/10	6/10	6/10	6/10	6/10	6/10
Dimensions	4.2	Height, mast lowered	h1 (mm)	1992	1992	1992	1992	2001	2001	1992	2007	2157	1992	1992	1992	1992	2001	2001	2017	2157	
	4.3	Free lift	h2 (mm)	155	155	155	135	140	140	135	140	155	155	155	135	140	140	140	135	140	
	4.4	Lift	h3 (mm)	3000	3000	3000	3000	3000	3000	3000	3000	3000	3000	3000	3000	3000	3000	3000	3000	3000	
	4.5	Height, mast extended	h4 (mm)	3955	3955	3955	3955	4046	4046	4046	4145	4145	3955	3955	3955	4046	4046	4046	4145	4145	
	4.6	Height of overhead guard	h6 (mm)	2070	2070	2070	2070	2160	2160	2160	2160	2160	2070	2070	2070	2160	2160	2160	2160	2160	
	4.7	Height of overhead guard (cabin)	h6 (mm)	2150	2150	2150	2150	2240	2240	2240	2240	2240	2150	2150	2150	2150	2240	2240	2240	2240	
	4.8	Seat height/stand height	h7 (mm)	1010	1010	1010	1010	1070	1070	1070	1070	1070	1010	1010	1010	1010	1070	1070	1070	1070	
	4.12	Coupling height	h10 (mm)	289	289	289	289	311	311	311	311	289	289	289	289	311	311	311	311	311	
	4.19	Overall length	l1 (mm)	3000	3000	3005	3074	3365	3390	3505	3554	3656	3000	3000	3005	3074	3365	3390	3505	3554	
	4.20	Length to face of forks	l2 (mm)	2080	2080	2085	2154	2295	2320	2435	2484	2586	2080	2080	2085	2154	2295	2320	2435	2484	
	4.21	Overall width	b1 (mm)	1060	1060	1125	1125	1185/1235#	1185/1235#	1235	1235	1260	1060	1060	1125	1125	1185/1235#	1185/1235#	1235	1235	
	4.22	Fork dimensions	s/e/l (mm)	920*100*35	920*100*35	920*100*35	920*100*40	1070*122*40	1070*122*40	1070*122*40	1070*122*45	1070*122*50	920*100*35	920*100*35	920*100*35	920*100*40	1070*122*40	1070*122*40	1070*122*45	1070*122*45	
	4.23	Fork carriage DIN 15 173 --- ISO 2328, class/type A,B		ISO 2328 2A	ISO 2328 2A	ISO 2328 2A	ISO 2328 2A	ISO 2328 2A	ISO 2328 2A	ISO 2328 2A	ISO 2328 3A	ISO 2328 3A	ISO 2328 2A	ISO 2328 2A	ISO 2328 2A	ISO 2328 2A	ISO 2328 2A	ISO 2328 2A	ISO 2328 2A	ISO 2328 3A	
	4.24	Fork-carriage width	b3 (mm)	1000	1000	1000	1000	1038	1038	1038	1100	1100	1000	1000	1000	1000	1038	1038	1038	1100	
	4.25	Distance between fork-arms	b5 (mm)	200-1000	200-1000	200-1000	200-1000	244-1038	244-1038	244-1038	244-1100	244-1100	200-1000	200-1000	200-1000	200-1000	244-1038	244-1038	244-1038	244-1100	
	4.31	Ground clearance, laden, below mast	m1 (mm)	100	100	100	100	110	110	110	106	106	100	100	100	110	110	110	106	106	
	4.32	Ground clearance, centre of wheelbase	m2 (mm)	85	85	85	85	120	120	120	120	125	85	85	85	120	120	120	120	125	
4.34.1	Aisle width for pallets 1000 x 1200 crossways	Ast (mm)	3436	3436	3441	3494	3617	3682	3797	3846	3909	3436	3436	3441	3494	3617	3682	3797	3846		
4.34.2	Aisle width for pallets 800 x 1200 lengthways	Ast (mm)	3636	3636	3641	3694	3817	3882	3997	4046	4109	3636	3636	3641	3694	3817	3882	3997	4046		
4.35	Turning radius	Wa (mm)	1845	1845	1845	1888	1990	2055	2170	2195	2230	1845	1845	1888	1990	2055	2170	2195			
Performance data	5.1	Travel speed, laden/unladen	km/h	16.5/17.5(14/15)	16/17(14/15)	16/17(14/15)	14/15(14/15)	17/17.5(14/15)	16.5/17.5(14/15)	16.5/17.5(14/15)	16.5/17.5(14/15)	15/16(14/15)	16.5/17.5	16/17	16/17	14/15	17/17.5	16.5/17.5	16.5/17.5	16.5/17.5	
	5.2	Lift speed, laden/unladen	m/s	450/650(420/550)	420/500(400/550)	370/650(360/550)	360/630(340/500)	380/600(380/500)	350/600(350/500)	370/550(370/500)	350/550(350/500)	330/500(330/500)	450/650	420/650	370/650	360/630	380/600	350/600	370/550	350/550	
	5.3	Lowering speed, laden/unladen	m/s	450/500	420/500	450/500	450/500	450/500	450/500	450/500	470/470	470/470	450/500	420/500	450/500	450/500	450/500	450/500	450/500	470/470	
	5.6	Max. Drawbar pull	N	11600/8600	11600/8600	11600/8580	11600/9000	14600/10600	14600/11530	20800/16500	20800/17400	20800/18400	11600/8600	11600/8600	11600/8580	11600/9000	14600/10600	14600/11530	20800/16500	20800/17400	
	5.8	Max. gradeability, laden/unladen	%	20/20	20/20	19/20	17/19	20/20	20/20	20/20	20/20	17/19	20/20	20/20	20/20	19/20	20/20	20/20	20/20	20/20	
	5.10	Service brake		Hydraulic	Hydraulic	Hydraulic	Hydraulic	Hydraulic	Hydraulic	Hydraulic	Hydraulic	Hydraulic	Hydraulic	Hydraulic	Hydraulic	Hydraulic	Hydraulic	Hydraulic	Hydraulic	Hydraulic	
		Parking brake		Mechanical	Mechanical	Mechanical	Mechanical	Mechanical	Mechanical	Mechanical	Mechanical	Mechanical	Mechanical	Mechanical	Mechanical	Mechanical	Mechanical	Mechanical	Mechanical	Mechanical	
	Electric engine	6.1	Drive motor rating S2 60 min	kW	11.3	11.3	11.3	11.3	18	18	18	18	11.3	11.3	11.3	18	18	18	18	18	
		6.2	Lift motor rating at S3 15%	kW	13.8	13.8	13.8	13.8	21	21	21	21	13.8	13.8	13.8	21	21	21	21	21	
		6.3	Battery acc. to DIN 43531/35/36 A,B,C, no		no	no	no	no	no	no	no	no	no	no	no	no	no	no	no	no	
6.4		Battery voltage, nominal capacity K5	V/Ah	48/360	48/420	48/420	48/450	48/525	48/600	80/360	80/480	48/360	48/420	48/420	48/450	48/525	48/600	80/360	80/480		
6.5		Battery weight	kg	580	670	670	730	830	950	990	1230	1230	580	670	670	730	830	950	990		
		Battery dimensions	l/b/h(mm)	980*465*780	980*465*780	980*465*780	980*465*780	1028*571*784	1028*571*784	1028*571*784	1028*711*784	1028*711*784	980*465*780	980*465*780	980*465*780	980*465*780	1028*571*784	1028*571*784	1028*571*784		
	Max. battery weight	kg	900	900	900	970	1120	1120	1610	1610	1610	900	900	900	970	1120	1120	1610			
	Min. battery weight	kg	560	640	640	700	800	900	940	1170	1170	560	640	640	700	800	900	940			
8.1	Type of drive unit		MOSFET/AC	MOSFET/AC	MOSFET/AC	MOSFET/AC	MOSFET/AC	MOSFET/AC	MOSFET/AC	MOSFET/AC	MOSFET/AC	MOSFET/AC	MOSFET/AC	MOSFET/AC	MOSFET/AC	MOSFET/AC	MOSFET/AC	MOSFET/AC			
9.1	Manufacturer/Type		JI																		

X Series Lithium Battery Forklift Truck Specification

		HANGCHA GROUP CO.,LTD.																			
Distinguishing mark	1.1	Manufacturer																			
	1.2	Manufacturer's type designation	CPD10-XJ4-I CPD10-XJ2-I	CPD15-XJ4-I CPD15-XJ2-I	CPD18-XJ4-I CPD18-XJ2-I	CPD20-XXJ4-I CPD20-XXJ2-I	CPD20-XJ4-I CPD20-XJ2-I	CPD25-XJ4-I CPD25-XJ2-I	CPD25-XLJ4-I CPD25-XLJ2-I	CPD30-XJ4-I CPD30-XJ2-I	CPD35-XJ4-I CPD35-XJ2-I	CPD10-XC4-I* CPD10-XD3-I*	CPD15-XC4-I* CPD15-XD3-I*	CPD18-XC4-I* CPD18-XD3-I*	CPD20-XXC4-I* CPD20-XXD3-I*	CPD20-XC5-I* CPD20-XD3-I*	CPD25-XC5-I* CPD25-XD3-I*	CPD25-XLC5-I* CPD25-XLD3-I*	CPD30-XC5-I* CPD30-XD3-I*	CPD35-XC5-I* CPD35-XD3-I*	
	1.3	Drive: electric (battery or mains), diesel, petrol, fuel gas	Lithium	Lithium	Lithium	Lithium	Lithium	Lithium	Lithium	Lithium	Lithium	Lithium	Lithium	Lithium	Lithium	Lithium	Lithium	Lithium	Lithium	Lithium	Lithium
	1.4	Operator type: hand, pedestrian, standing, seated, order-picker	Seated	Seated	Seated	Seated	Seated	Seated	Seated	Seated	Seated	Seated	Seated	Seated	Seated	Seated	Seated	Seated	Seated	Seated	Seated
	1.5	Rated capacity/rated load	Q (kg)	1000	1500	1750	2000	2000	2500	2500	3000	3500	1000	1500	1750	2000	2000	2500	2500	3000	3500
	1.6	Load centre distance	c (mm)	500	500	500	500	500	500	500	500	500	500	500	500	500	500	500	500	500	500
	1.8	Load distance, centre of drive axle to fork	x (mm)	391	391	396	406	427	427	427	451	479	391	391	396	406	427	427	427	451	479
	1.9	Wheelbase	y (mm)	1410	1410	1410	1410	1520	1520	1660	1660	1660	1410	1410	1410	1410	1520	1520	1660	1660	1660
	Weight	2.1	Service Weight	kg	2380	2750	2970	3180	3430	3720	3850	4370	2380	2750	2970	3180	3430	3720	3850	4370	4970
2.2		Axle loading, laden front/rear	kg	2690/690	3720/530	4260/510	4580/600	4750/680	5450/770	5630/720	6555/815	7540/930	2690/690	3720/530	4260/510	4580/600	4750/680	5450/770	5630/720	6555/815	7540/930
2.3		Axle loading, unladen front/rear	kg	980/1400	1330/1420	1340/1630	1300/1880	1530/1900	1470/2250	1720/2130	1855/2515	1920/3050	980/1400	1330/1420	1340/1630	1300/1880	1530/1900	1470/2250	1720/2130	1855/2515	1920/3050
Tyres, chassis	3.1	Tyres: solid rubber, superelastic, pneumatic, polyurethane	Pneumatic	Pneumatic	Pneumatic	Pneumatic	Pneumatic	Pneumatic	Pneumatic	Pneumatic	Superelastic	Pneumatic	Pneumatic	Pneumatic	Pneumatic	Pneumatic	Pneumatic	Pneumatic	Pneumatic	Superelastic	
	3.2	Tyre size, front	6.00-9-10PR	6.00-9-10PR	21*8-9-16PR	21*8-9-16PR	23*9-10-18PR	23*9-10-18PR	23*9-10-18PR	23*9-10-18PR	23*10-12	6.00-9-10PR	6.00-9-10PR	21*8-9-16PR	21*8-9-16PR	23*9-10-18PR	23*9-10-18PR	23*9-10-18PR	23*9-10-18PR	23*10-12	
	3.3	Tyre size, rear	5.00-8-10PR	5.00-8-10PR	5.00-8-10PR	5.00-8-10PR	18*7-8-14PR	18*7-8-14PR	18*7-8-14PR	18*7-8-14PR	200/50-10	5.00-8-10PR	5.00-8-10PR	5.00-8-10PR	5.00-8-10PR	18*7-8-14PR	18*7-8-14PR	18*7-8-14PR	18*7-8-14PR	200/50-10	
	3.5	Wheels, number front / rear (x = driven wheels)	2x2	2x2	2x2	2x2	2x2	2x2	2x2	2x2	2x2	2x2	2x2	2x2	2x2	2x2	2x2	2x2	2x2	2x2	
	3.6	Tread, front	b10(mm)	885	885	925	925	960/1010#	960/1010#	1010	1010	1012	885	885	925	925	960/1010#	960/1010#	1010	1010	1012
	3.7	Tread, rear	b11 (mm)	905.5	905.5	905.5	905.5	980	980	980	980	980	905.5	905.5	905.5	905.5	980	980	980	980	980
	Dimensions	4.1	Tilt of mast/fork carriage forward/backward	α/β(°)	6/10	6/10	6/10	6/10	6/10	6/10	6/10	6/10	6/10	6/10	6/10	6/10	6/10	6/10	6/10	6/10	6/10
4.2		Height, mast lowered	h1 (mm)	1992	1992	1992	1992	2001	2001	2001	2007	2157	1992	1992	1992	1992	2001	2001	2007	2157	
4.3		Free lift	h2 (mm)	155	155	155	135	140	140	140	135	140	155	155	155	135	140	140	135	140	
4.4		Lift	h3 (mm)	3000	3000	3000	3000	3000	3000	3000	3000	3000	3000	3000	3000	3000	3000	3000	3000	3000	
4.5		Height, mast extended	h4 (mm)	3955	3955	3955	3955	4046	4046	4046	4145	4145	3955	3955	3955	4046	4046	4046	4145	4145	
4.6		Height of overhead guard	h6 (mm)	2070	2070	2070	2070	2160	2160	2160	2160	2160	2070	2070	2070	2160	2160	2160	2160	2160	
4.7		Height of overhead guard (cabin)	h6 (mm)	2150	2150	2150	2150	2240	2240	2240	2240	2240	2150	2150	2150	2150	2240	2240	2240	2240	
4.8		Seat height/stand height	h7 (mm)	1010	1010	1010	1010	1070	1070	1070	1070	1070	1010	1010	1010	1010	1070	1070	1070	1070	
4.12		Coupling height	h10 (mm)	289	289	289	289	311	311	311	311	289	289	289	289	311	311	311	311	311	
4.19		Overall length	l1 (mm)	3000	3000	3064	3074	3365	3390	3530	3677	3300	3000	3064	3074	3365	3390	3530	3628	3677	
4.20		Length to face of forks	l2 (mm)	2080	2080	2144	2154	2295	2320	2460	2558	2607	2080	2080	2144	2154	2295	2320	2460	2558	2607
4.21		Overall width	b1 (mm)	1060	1060	1125	1125	1185/1235#	1185/1235#	1235	1235	1260	1060	1060	1125	1125	1185/1235#	1185/1235#	1235	1235	1260
4.22		Fork dimensions	s/e/l (mm)	920*100*35	920*100*35	920*100*35	920*100*40	1070*122*40	1070*122*40	1070*122*40	1070*122*45	1070*122*50	920*100*35	920*100*35	920*100*35	920*100*40	1070*122*40	1070*122*40	1070*122*45	1070*122*45	1070*122*50
4.23		Fork carriage DIN 15 173 --- ISO 2328, class/type A,B		ISO 2328 2A	ISO 2328 2A	ISO 2328 2A	ISO 2328 2A	ISO 2328 2A	ISO 2328 2A	ISO 2328 2A	ISO 2328 3A	ISO 2328 3A	ISO 2328 2A	ISO 2328 2A	ISO 2328 2A	ISO 2328 2A	ISO 2328 2A	ISO 2328 2A	ISO 2328 2A	ISO 2328 3A	ISO 2328 3A
4.24		Fork-carriage width	b3 (mm)	1000	1000	1000	1000	1038	1038	1038	1100	1100	1000	1000	1000	1000	1038	1038	1038	1100	1100
4.25	Distance between fork-arms	b5 (mm)	200-1000	200-1000	200-1000	200-1000	244-1038	244-1038	244-1038	244-1100	244-1100	200-1000	200-1000	200-1000	200-1000	244-1038	244-1038	244-1038	244-1100	244-1100	
4.31	Ground clearance, laden, below mast	m1 (mm)	100	100	100	100	110	110	110	106	106	100	100	100	110	110	110	106	106		
4.32	Ground clearance, centre of wheelbase	m2 (mm)	85	85	85	85	120	120	120	120	125	85	85	85	120	120	120	120	125		
4.34.1	Aisle width for pallets 1000 x 1200 crossways	Ast (mm)	3436	3436	3484	3494	3617	3682	3822	3881	3949	3436	3436	3484	3489	3617	3682	3822	3881	3949	
4.34.2	Aisle width for pallets 800 x 1200 lengthways	Ast (mm)	3636	3636	3684	3694	3817	3882	4022	4081	4149	3636	3636	3684	3689	3817	3882	4022	4081	4149	
4.35	Turning radius	Wa (mm)	1845	1845	1888	1888	1990	2055	2195	2230	1845	1845	1888	1888	1990	2055	2195	2230	2270		
Performance data	5.1	Travel speed, laden/unladen	km/h	17/17.5(14/15)	16.5/17(14/15)	16.5/17(14/15)	14.5/16(14/15)	17/17.5(14/15)	17/17.5(14/15)	17/17.5(14/15)	15/16(14/15)	17/17.5	16.5/17	16.5/17	14.5/16	17/17.5	17/17.5	17/17.5	17/17.5	15/16	
	5.2	Lift speed, laden/unladen	m/s	450/650(420/550)	420/500(400/550)	370/650(360/550)	360/630(340/500)	380/600(380/500)	350/600(350/500)	370/550(370/500)	350/550(350/500)	330/500(330/500)	450/650	420/650	370/650	360/630	380/600	350/600	370/550	350/550	330/550
	5.3	Lowering speed, laden/unladen	m/s	450/500	420/500	450/500	450/500	450/500	450/500	450/500	470/470	470/470	450/500	420/500	450/500	450/500	450/500	450/500	450/500	470/470	470/470
	5.6	Max. Drawbar pull	N	11600/8600	11600/8600	11600/8580	11600/9000	14600/10600	14600/11530	20800/16500	20800/17400	20800/18400	11600/8600	11600/8600	11600/8580	11600/9000	14600/10600	14600/11530	20800/16500	20800/17400	20800/18400
	5.8	Max. gradeability, laden/unladen	%	20/20	19/20	17/19	20/20	19/20	20/20	20/20	17/19	20/20	20/20	20/20	19/20	20/20	17/19	20/20	20/20	20/20	17/19
	5.10	Service brake		Hydraulic	Hydraulic	Hydraulic	Hydraulic	Hydraulic	Hydraulic	Hydraulic	Hydraulic	Hydraulic	Hydraulic	Hydraulic	Hydraulic	Hydraulic	Hydraulic	Hydraulic	Hydraulic	Hydraulic	Hydraulic
	Parking brake		Mechanical	Mechanical	Mechanical	Mechanical	Mechanical	Mechanical	Mechanical	Mechanical	Mechanical	Mechanical	Mechanical	Mechanical	Mechanical	Mechanical	Mechanical	Mechanical	Mechanical	Mechanical	
Electric engine	6.1	Drive motor rating S2 60 min	kW	11.3	11.3	11.3	11.3	18	18	18	18	11.3	11.3	11.3	18	18	18	18	18	18	
	6.2	Lift motor rating at S3 15%	kW	13.8	13.8	13.8	13.8	21	21	21	21	13.8	13.8	13.8	21	21	21	21	21	21	
	6.3	Battery acc. to DIN 43531/35/36 A,B,C, no		no	no	no	no	no	no	no	no	no	no	no	no	no	no	no	no	no	
	6.4	Battery voltage, nominal capacity K5	V/Ah	48/271	48/404(48/271)	48/404(48/271)	48/404(48/271)	48/500(48/346)	48/500(48/346)	80/271(80/202)	80/404(80/271)	80/404(80/271)	48/302	48/456	48/456	48/500	48/500	80/302	80/456	80/456	
	6.5	Battery weight	kg	200	315	315	315	443	443	502	502	200	315	315	315	443	443	502	502	502	
		Battery dimensions	l/b/h(mm)	980*465*760	980*465*760	980*465*760	980*465*760	1028*566*775	1028*566*775	1028*711*782	1028*711*782	980*465*780	980*465*780	980*465*780	980*465*780	1028*571*784	1028*571*784	1028*571*784	1028*571*784	1028*571*784	
	Max. battery weight	kg	360	360	360	360	700	700	560	560	360	360	360	360	700	700	560	560	560		
	Min. battery weight	kg	200	310	310	310	440	440	500	500	200	310	310	310	440	440	500	500	500		
	Type of drive unit		MOSFET/AC	MOSFET/AC	MOSFET/AC	MOSFET/AC	MOSFET/AC	MOSFET/AC	MOSFET/AC	MOSFET/AC	MOSFET/AC	MOSFET/AC	MOSFET/AC	MOSFET/AC	MOSFET/AC	MOSFET/AC	MOSFET/AC	MOSFET/AC	MOSFET/AC		
Addition data	9.1	Manufacturer/Type		JIACHEN	JIACHEN	JIACHEN	JIACHEN	JIACHEN	JIACHEN	JIACHEN	JIACHEN	CURTIS INMOTION	CURTIS INMOTION	CURTIS INMOTION	CURTIS INMOTION	CURTIS INMOTION	CURTIS INMOTION	CURTIS INMOTION	CURTIS INMOTION	CURTIS INMOTION	
	10.1	Operating pressure for attachments	bar	145	145	160	160	160	160	160	160	145	145	160	160	160	160	160	160	160	
	10.2	Oil volume for attachments	l/min	65	65	65	65	65	65	65	65	65	65	65	65	65	65	65	65	65	
	10.3	Hydraulic Tank - capacity (drain & refill)	liter	27	27	27	27	30</													



$Ast = l6 + x + Wa + a$ $l6$: Load Length a : Clearance (200mm)



1.0~2.0t X Series Mast Specification

Type	Model	Lifting height	Lowered overall height			Overall height				Free lifting height				Tilting range		Load Capacity at 500 mm LC								
			1.1.8t		2.0x t	With backrest		Without backrest		With backrest		Without backrest		FWD	BWD	Single Tire				Double Tire				
			mm	mm	mm	mm	mm	mm	mm	mm	mm	mm	mm	mm	(°)	(°)	1.0t	1.5t	1.8t	2.0x t	1.0t	1.5t	1.8t	2.0x t
Duplex wide view mast	M250	2500	1742	1742	3455	3048	3158	3004	155	155	135	155	155	135	6	6	1000	1500	1750	2000	1000	1500	1750	2000
	M270	2700	1842	1842	3655	3248	3358	3204	155	155	135	155	155	135	6	6	1000	1500	1750	2000	1000	1500	1750	2000
	M300	3000	1992	1992	3955	3548	3658	3504	155	155	135	155	155	135	6	10	1000	1500	1750	2000	1000	1500	1750	2000
	M330	3300	2142	2142	4255	3848	3958	3804	155	155	135	155	155	135	6	10	1000	1500	1750	2000	1000	1500	1750	2000
	M350	3500	2242	2242	4455	4048	4158	4004	155	155	135	155	155	135	6	10	1000	1500	1750	2000	1000	1500	1750	2000
	M370	3700	2392	2392	4655	4248	4358	4204	155	155	135	155	155	135	6	10	1000	1500	1750	2000	1000	1500	1750	2000
	M400	4000	2592	2592	4955	4548	4658	4504	155	155	135	155	155	135	6	10	1000	1500	1750	2000	1000	1500	1750	2000
	M430	4300	2742	2742	5255	4848	4958	4804	155	155	135	155	155	135	6	6	1000	1500	1700	1900	1000	1500	1750	1950
	M450	4500	2842	2842	5455	5048	5158	5004	155	155	135	155	155	135	6	6	1000	1500	1650	1800	1000	1500	1700	1850
	M500	5000	3092	3092	5955	5548	5658	5504	155	155	135	155	155	135	6	6	1000	1400	1550	1700	1000	1350	1650	1750
M550	5500	3342	3342	6455	6048	6158	6004	155	155	135	155	155	135	3	6	1000	1250	1500	1600	1000	1200	1600	1650	
M600	6000	3592	3592	6955	6548	6658	6504	155	155	135	155	155	135	3	6	1000	1100	1300	1400	1000	1500	1400	1450	
Duplex full-free lifting mast	U250	2500	1742	1742	3445	3066	3176	3027	797	797	797	1176	1066	1215	6	6	1000	1500	1750	2000	1000	1500	1750	2000
	U300	3000	1992	1992	3945	3566	3676	3527	1047	1047	1047	1426	1316	1465	6	10	1000	1500	1750	2000	1000	1500	1750	2000
	U330	3300	2142	2142	4245	3866	3976	3827	1197	1197	1197	1576	1466	1615	6	10	1000	1500	1750	2000	1000	1500	1750	2000
	U350	3500	2242	2242	4445	4066	4176	4027	1297	1297	1297	1676	1566	1715	6	10	1000	1500	1750	2000	1000	1500	1750	2000
	U370	3700	2342	2342	4645	4266	4376	4227	1397	1397	1397	1776	1666	1815	6	10	1000	1500	1750	2000	1000	1500	1750	2000
Triplex full-free lifting mast	U400	4000	2542	2542	4945	4566	4676	4527	1597	1597	1597	1976	1866	2015	6	10	1000	1500	1750	2000	1000	1500	1750	2000
	N400	4000	1892	1942	4955	4576	4686	4576	947	947	947	1326	1216	1376	6	6	1000	1500	1750	1900	1000	1500	1750	1950
	N430	4300	1992	2042	5255	4876	4986	4876	1047	1047	1047	1426	1316	1476	6	6	1000	1500	1650	1850	1000	1500	1750	1900
	N450	4500	2042	2092	5455	5076	5186	5076	1097	1097	1097	1476	1366	1526	6	6	1000	1500	1650	1800	1000	1500	1750	1850
	N470	4700	2112	2192	5645	5266	5376	5266	1167	1167	1167	1546	1436	1626	6	6	1000	1450	1600	1750	1000	1500	1700	1800
	N480	4800	2142	2192	5755	5376	5486	5376	1197	1197	1197	1576	1466	1626	6	6	1000	1450	1600	1750	1000	1500	1700	1800
	N500	5000	2242	2292	5955	5576	5686	5576	1297	1297	1347	1676	1566	1726	6	6	1000	1400	1550	1700	1000	1500	1650	1750
	N550	5500	2412	2442	6445	6066	6176	6066	1467	1467	1497	1846	1736	1876	3	6	1000	1250	1500	1600	1000	1350	1600	1650
	N600	6000	2612	2642	6945	6566	6676	6566	1667	1667	1697	2046	1936	2076	3	6	1000	1100	1300	1400	1000	1200	1400	1450
	N650	6500	2867	2842	7455	7076	7186	7076	1922	1922	1897	2301	2191	2276	3	6	900	900	1150	1200	1000	100	1200	1250
N700	7000	3042	3092	7955	7576	7686	7602	2097	2097	2147	2476	2366	2500	3	6	650	700	950	1000	700	800	1000	1050	

2.0~2.5t X Series Mast Specification

Type	Model	Lifting height	Lowered overall height	Overall height				Free lifting height		Tilting range		Load Capacity at 500 mm LC							
				With backrest		Without backrest		With backrest		Without backrest		FWD	BWD	Single Tire			Double Tire		
				mm	mm	mm	mm	mm	mm	mm	mm	(°)	(°)	2.0t	2.5t	2.5t L	2.0t	2.5t	2.5t L
Duplex wide view mast	M250	2500	1751	3546	3137	140	140	6	6	2000	2500	2500	2000	2500	2500				
	M270	2700	1851	3746	3337	140	140	6	6	2000	2500	2500	2000	2500	2500				
	M300	3000	2001	4046	3637	140	140	6	10	2000	2500	2500	2000	2500	2500				
	M330	3300	2151	4346	3937	140	140	6	10	2000	2500	2500	2000	2500	2500				
	M350	3500	2251	4546	4137	140	140	6	10	2000	2500	2500	2000	2500	2500				
	M370	3700	2401	4746	4337	140	140	6	10	2000	2500	2500	2000	2500	2500				
	M400	4000	2601	5046	4637	140	140	6	10	2000	2500	2500	2000	2500	2500				
	M430	4300	2751	5346	4937	140	140	6	6	2000	2500	2500	2000	2500	2500				
	M450	4500	2851	5546	5137	140	140	6	6	2000	2450	2500	2000	2500	2500				
	M500	5000	3101	6046	5637	140	140	6	6	1850	2150	2200	2000	2200	2250				
Duplex full-free lifting mast	U250	2500	1751	3546	3154	705	1097	6	6	2000	2500	1900	1900	2500	2500				
	U270	2700	1851	3746	3354	805	1197	6	6	2000	2500	1900	1900	2500	2500				
	U300	3000	2001	4046	3654	955	1347	6	10	2000	2500	2500	2000	2500	2500				
	U330	3300	2151	4346	3954	1105	1497	6	10	2000	2500	2500	2000	2500	2500				
	U350	3500	2251	4546	4154	1205	1597	6	10	2000	2500	2500	2000	2500	2500				
	U370	3700	2351	4746	4354	1305	1697	6	10	2000	2500	2500	2000	2500	2500				
	U400	4000	2551	5046	4654	1505	1897	6	10	2000	2500	2500	2000	2500	2500				
	N400	4000	1901	5046	4654	855	1247	6	6	2000	2500	2500	2000	2500	2500				
	N430	4300	2001	5346	4954	955	1347	6	6	2000	2450	2500	2000	2500	2500				
	N450	4500	2051	5546	5154	1005	1397	6	6	2000	2350	2400	2000	2450	2500				
Triplex full-free lifting mast	N470	4700	2126	5746	5354	1080	1472	6	6	1950	2250	2300	2000	2350	2400				
	N480	4800	2151	5846	5454	1105	1497	6	6	1950	2250	2300	2000	2350	2400				
	N500	5000	2226	6046	5654	1180	1572	6	6	1850	2150	2200	1950	2250	2300				
	N550	5500	2401	6546	6154	1355	1747	3	6	1750	2050	2100	1900	2100	2150				
	N600	6000	2601	7046	6654	1555	1947	3	6	1550	1850	1900	1800	1950	2000				
	N650	6500	2851	7546	7154	1805	2197	3	6	1300	1600	1650	1550	1800	1850				
	N700	7000	3051	8046	7654	2005	2397	3	6	1050	1350	1400	1300	1600	1650				

3.0~3.5t X Series Mast Specification

Type	Model	Lifting height	Lowered overall height		Overall height				Free lifting height				Tilting range		Load Capacity at 500 mm LC					
			3.0t		3.5t		With backrest		Without backrest		With backrest		Without backrest		FWD	BWD	Single Tire		Double Tire	
			mm	mm	mm	mm	mm	mm	mm	mm	mm	mm	mm	mm	(°)	(°)	3.0t	3.5t	3.0t	3.5t
Duplex wide view mast	M250	2500	1757	1907	3645	3645	3187	3287	135	140	135	140	6	6	3000	3500	3000	3500		
	M270	2700	1857	2007	3845	3845	3387	3487	135	140	135	140	6	6	3000	3500	3000	3500		
	M300	3000	2007	2157	4145	4145	3687	3787	135	140	135	140	6	10	3000	3500	3000	3500		
	M330	3300	2157	2307	4445	4445	3987	4087	135	140	135	140	6	10	3000	3500	3000	3500		
	M350	3500	2257	2407	4645	4645	4187	4287	135	140	135	140	6	10	3000	3500	3000	3500		
	M370	3700	2407	2507	4845	4845	4387	4487	135	140	135	140	6	10	3000	3500	3000	3500		
	M400	4000	2607	2757	5145	5145	4687	4787	135	140	135	140	6	10						